

3m high PA3 Graduate Fence

60x40x3mm rhs posts or 80x40x3mm rhs posts. Posts are c/w 50x6mm welded flats and clamp bars 25x5mm to facilitate vertical securement of welded mesh panels

2.515x3m panels, lower 1.2m 358 welded mesh rebound panels, mesh is 75x12.5mm x 4mm diameter wire, dimensions of 75x12.5mm are wire centres, not aperture. from 1.2 - 2.4m 75x25mm x 4mm diameter wire and from 2.4 - 3m 75x50mm x 4mm diameter wire, again wire centres not apertures.

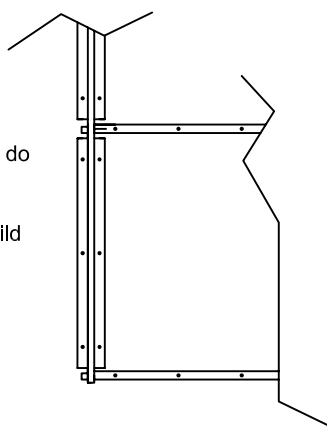
Panels secured to 40x40x5mm mild steel angle iron support rails at bottom, 1.2m and optional top rail c/w clamp bar to face

Corner and End posts to be typically 60x60x3mm or 80x80x3.6mm rhs c/w necessary fittings and set in concrete

Single leaf gate typically 1.2m wide between posts x 2m high + lintel panel over to 3m, gate end posts typically 60x60x3mm rhs

Double leaf gate typically 3m wide between posts x 2.5m high + lintel panel over to 3m, gate end posts typically 60x60x3mm rhs

Section thro fence showing post and rail arrangement, left side shows flats and cleats that rails and boards attach to, we do not use lugs for panel attachment. The left hand side shows the same arrangement but with the 40x40x5mm mild steel angle iron panel support rails



Note - all hole locations are representational

JB Corrie & Co. Limited

Fencing Contractors & Manufacturers

Frenchmans Road

Petersfield

Hants

GU32 3AP

Email: fencing@jbcorrie.co.uk



Tel: 01730 237100

Fax: 01730 264915

Web: www.jbcorrie.co.uk

JBC Ref.: JB Corrie

JB Corrie : JB Corrie

Drg. no.: JBC_GRADUATE_3M_126

Scale: Not to Scale Paper Size: A4

Drawn by & date: Reviewed by & date:

LR LR - 20.01.09

Description: 3m high corrie graduate with and without rebound detail

Site: not known

Revision history:

Notes:
1. All dimensions in mm unless otherwise indicated.